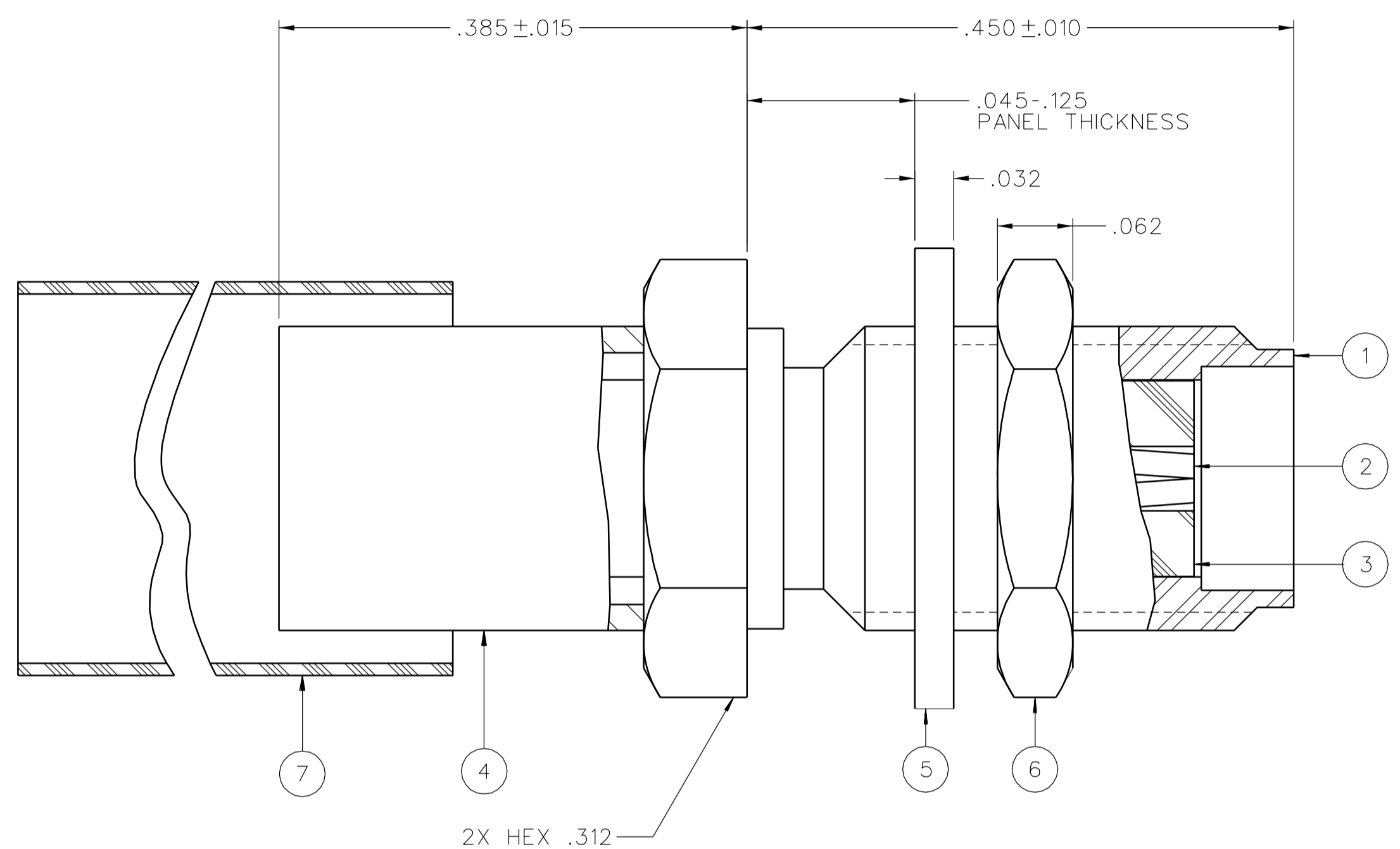


| PART NUMBER | ITEM ① BODY | ITEM ② CONTACT | ITEM ③ INSULATOR | ITEM ④ CRIMP SLEEVE | ITEM ⑤ LOCK WASHER | ITEM ⑥ NUT | ITEM ⑦ HEAT SHRINK |
|--------------|--|--|---------------------|--|--|--|----------------------------|
| 141-0307-411 | STAINLESS STEEL GOLD PL .00001 MIN OVER NICKEL PL .00005 MIN | BERYLLIUM COPPER GOLD PL .00005 MIN OVER NICKEL PL .00005 MIN OVER COPPER PL .00005 MIN | TEFLON | COPPER GOLD PL .00001 MIN OVER NICKEL PL .00005 MIN OVER COPPER PL .00005 MIN | STAINLESS STEEL GOLD PL .00001 MIN OVER NICKEL PL .00005 MIN | STAINLESS STEEL GOLD PL .00001 MIN OVER NICKEL PL .00005 MIN | POLYOLEFIN COLOR: BLACK |
| 141-0307-412 | STAINLESS STEEL PASSIVATED | BERYLLIUM COPPER GOLD PL .00005 MIN OVER NICKEL PL .00005 MIN OVER COPPER PL .00005 MIN | TEFLON | COPPER NICKEL PL .0001 MIN OVER COPPER PL .00005 MIN | STAINLESS STEEL PASSIVATED | STAINLESS STEEL PASSIVATED | POLYOLEFIN COLOR: BLACK |

DRAWING NO.
C - 141-0307-411/420

| REVISIONS | |
|--|---|
| 0 | REVISIONS |
| ENGINEERING RELEASE | |
| 1 | 8-27-92 R H T R P A 9-1-92 E C O 41193 |
| ADDED: ITEM 7 HEAT SHRINK | |
| 2 | 10-6-92 R H T R P A 10-29-92 E C O 41310 |
| VERSION UPDATE | |
| ***** * REVISION NUMBER FOLLOWED BY AN ALPHA * * CHARACTER INDICATES DRAWING CLARIFI- * * CATION OR PART NUMBER ADDITION ONLY. * ***** | |
| 2a | 1-31-95 R H S T R P A ECN 43186 W C K J B |
| GRAPHICS & VERSION UPDATE | |
| 3 | 12-19-05 P A S P D 5-12-06 T B D W ECN 50083 |



NOTES:

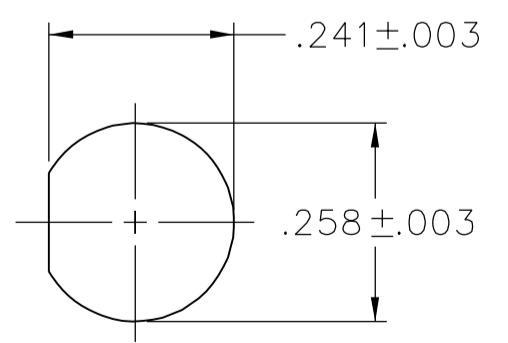
1. SPECIFICATIONS:
- IMPEDANCE: 50 OHMS
 - FREQUENCY RANGE: 0-12.4 GHz
 - VSWR: 1.15+.01F MAX (F IN GHz)
 - WORKING VOLTAGE: 335 VRMS MAX AT SEA LEVEL
 - DIELECTRIC WITHSTANDING VOLTAGE: 1000 VRMS MIN AT SEA LEVEL
 - INSULATION RESISTANCE: 5000 MEGOHM MIN
 - CONTACT RESISTANCE:
 - CENTER CONTACT - INITIAL 3.0 MILLIOHM MAX, AFTER ENVIRONMENTAL 4.0 MILLIOHM MAX
 - OUTER CONDUCTOR - INITIAL 2.0 MILLIOHM MAX AFTER ENVIRONMENTAL NOT APPLICABLE
 - BODY TO CABLE - 0.5 MILLIOHM MAX (GOLD PLATED) 5.0 MILLIOHM MAX (PASSIVATED)
 - CORONA LEVEL: 250 VOLTS MIN AT 70,000 FEET
 - INSERTION LOSS: .06 √F MAX (F IN GHz) AT 6 GHz
 - RF LEAKAGE: -60 DB MIN AT 2.5 GHz
 - RF HIGH POTENTIAL WITHSTANDING VOLTAGE: 670 VRMS MIN AT 4 AND 7 MHz

MECHANICAL:

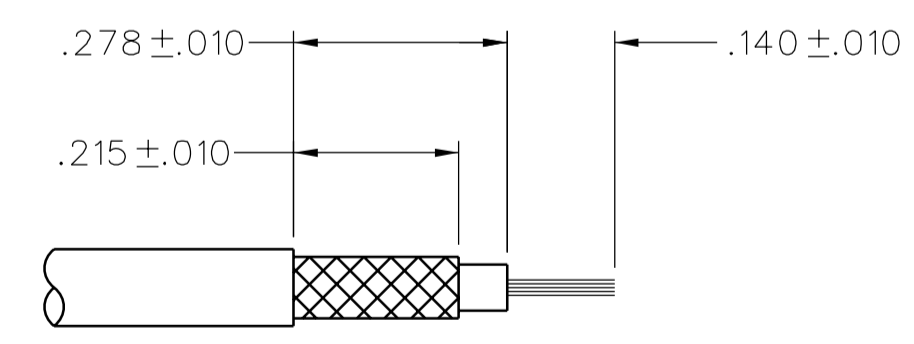
- ENGAGE/DISENGAGE TORQUE: 2 IN-LBS MAX
- MATING TORQUE: 7-10 IN-LBS
- COUPLING PROOF TORQUE: NOT APPLICABLE
- COUPLING NUT RETENTION: NOT APPLICABLE
- CONTACT RETENTION: 6 LBS MIN AXIAL FORCE
- CABLE ACCEPTABILITY: RG 58/U, RG 141/U, RG 303/U
- CABLE HEX CRIMP SIZE: .213
- CONTACT CRIMP TOOL: MIL M22520/1-01
- CABLE RETENTION: 40 LBS MIN AXIAL FORCE
- DURABILITY: 500 CYCLES MIN

ENVIRONMENTAL:

- (MEETS OR EXCEEDS THE APPLICABLE PARAGRAPH OF MIL-PRF-39012)
- THERMAL SHOCK: MIL-STD-202, METHOD 107, CONDITION B, EXCEPT 85° C HIGH TEMP
- OPERATING TEMPERATURE: -65 DEG C TO 165 DEG C
- CORROSION: MIL-STD-202, METHOD 101, CONDITION B
- SHOCK: MIL-STD-202, METHOD 213, CONDITION I
- VIBRATION: MIL-STD-202, METHOD 204, CONDITION D
- MOISTURE RESISTANCE: MIL-STD-202, METHOD 106



MOUNTING HOLE
4:1



CABLE STRIP DIMENSIONS
4:1

CUSTOMER DRAWING

THIS DRAWING TO BE INTERPRETED PER ASME Y 14.5M - 1994

"μSTATION"

COMPANY CONFIDENTIAL

| TOLERANCE UNLESS OTHERWISE SPECIFIED | | DRAWN BY | DATE |
|--------------------------------------|-------|--------------|------------|
| DECIMALS | mm | TAK | 7-8-92 |
| .XX | _____ | CHECKED BY | DATE |
| .XXX | _____ | APPROVED BY | DATE |
| MATL | _____ | RJB/TAK | 8-28-92 |
| FINISH | _____ | RELEASE DATE | 9-1-92 |
| | | U/M INCH | SCALE 10:1 |

Connectivity Solutions
P.O. Box 1732
Waseca, MN 56093
1-800-247-8256

EMERSON
Network Power

TITLE JACK ASSEMBLY
STRAIGHT CABLED BULKHEAD
SMA, RG 58

SHEET 2 OF 2
DRAWING NO. C - 141-0307-411/420